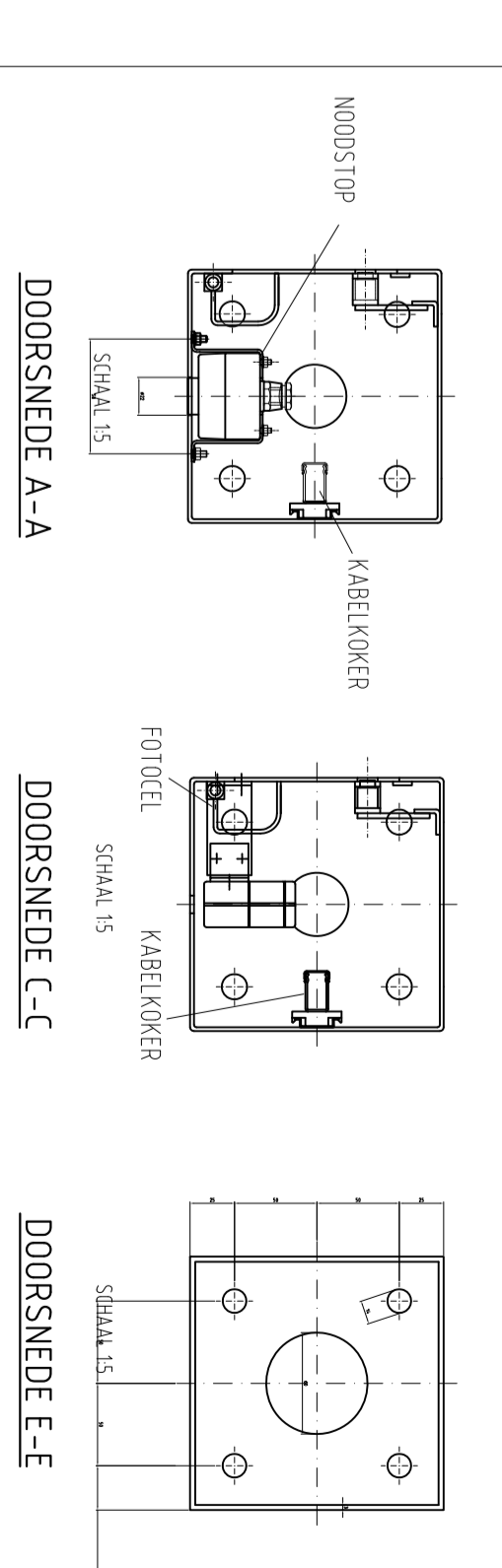
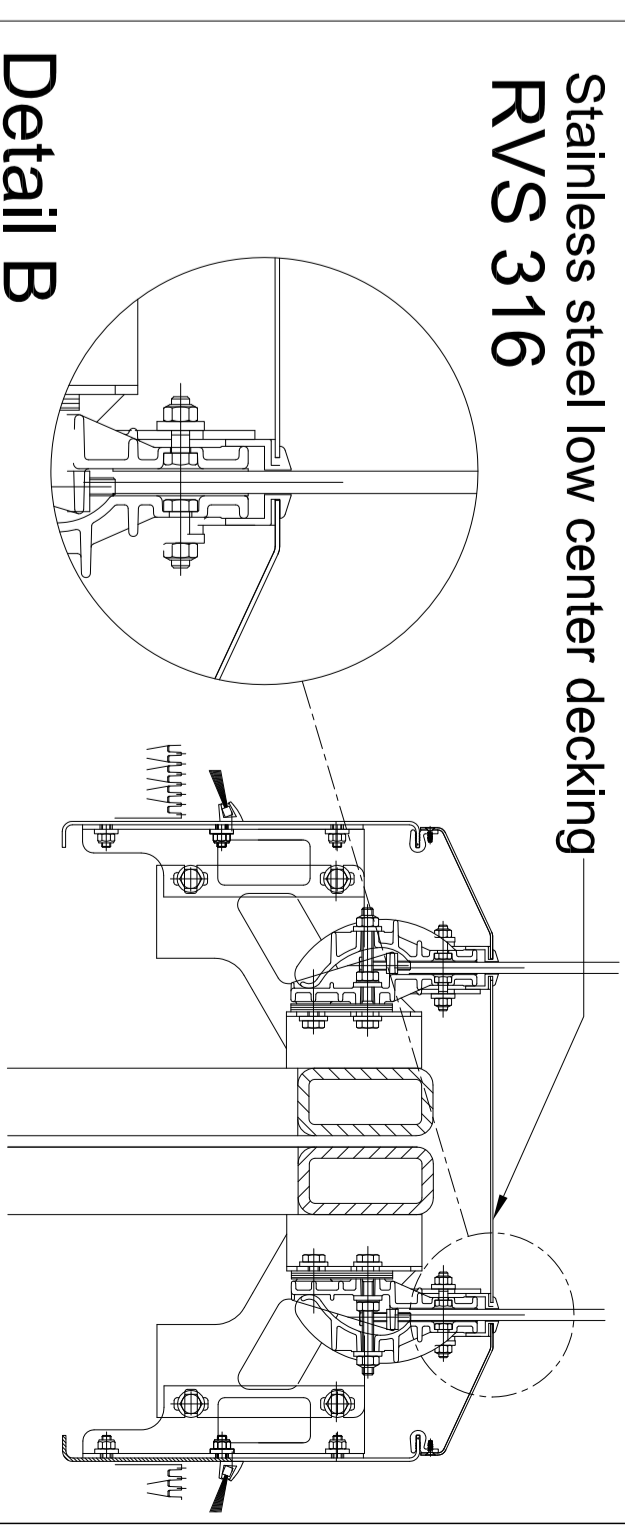


Detail verkeerszuilen



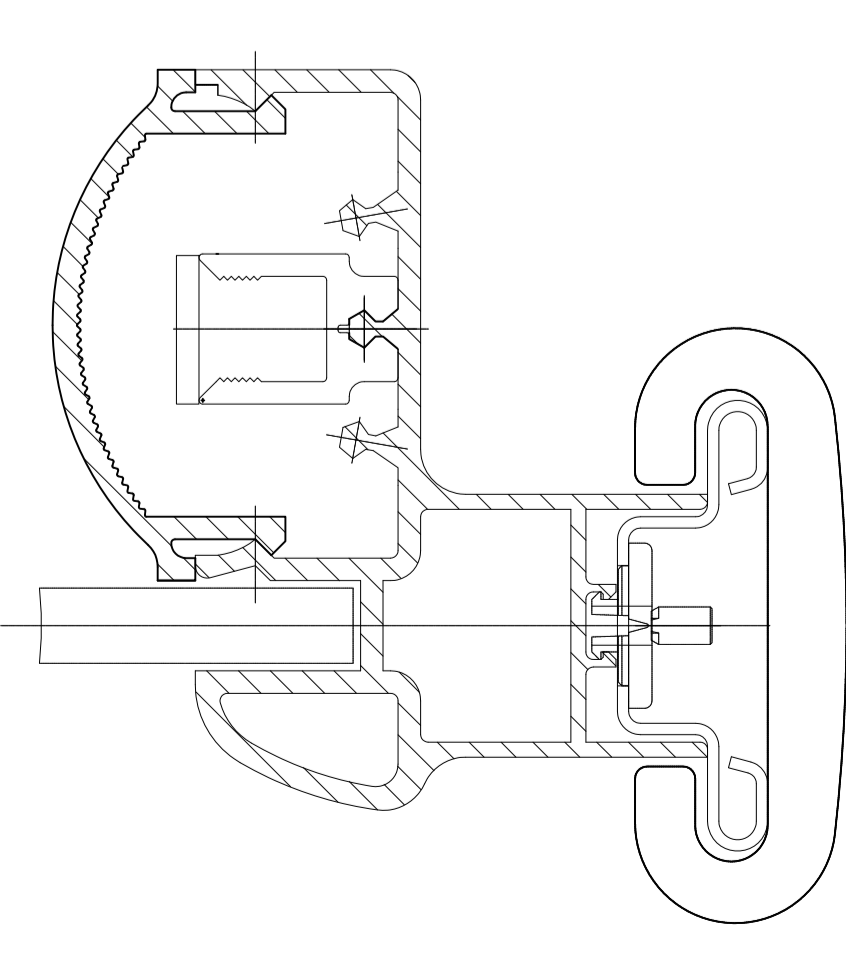
Stainless steel low center decking
RVS 316



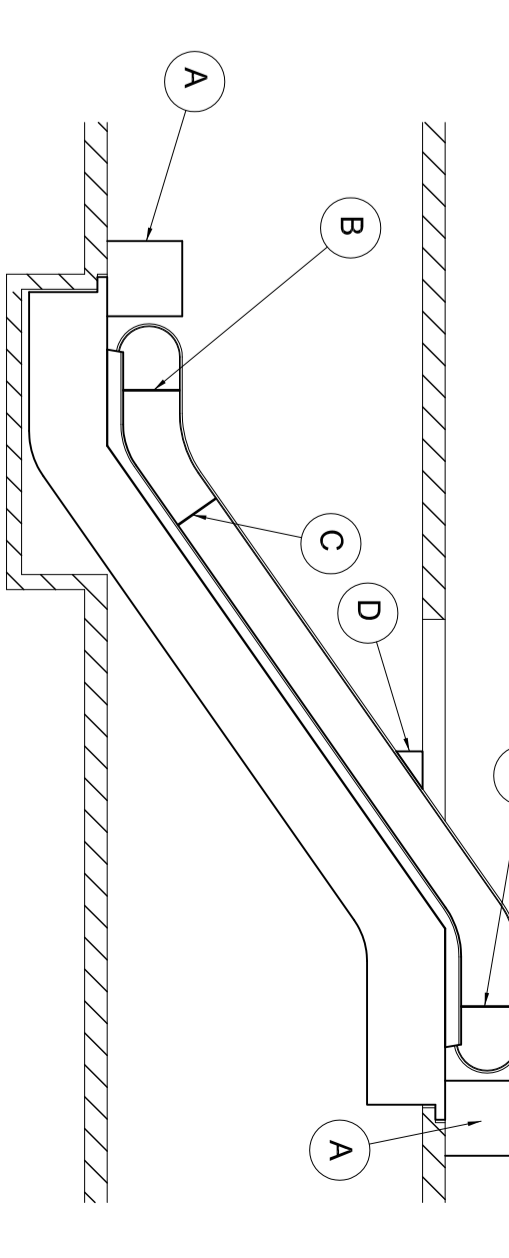
Detail B

- GOSD - GESLOTEN AANDRUVING
- EXTERNE SCHAKELKAST
- 26°
- FREQUENTIE OMVORMER
- 1000MM TREDEREEDTE
- GLAS BALUSTRADE

BALUSTRADE DETAIL

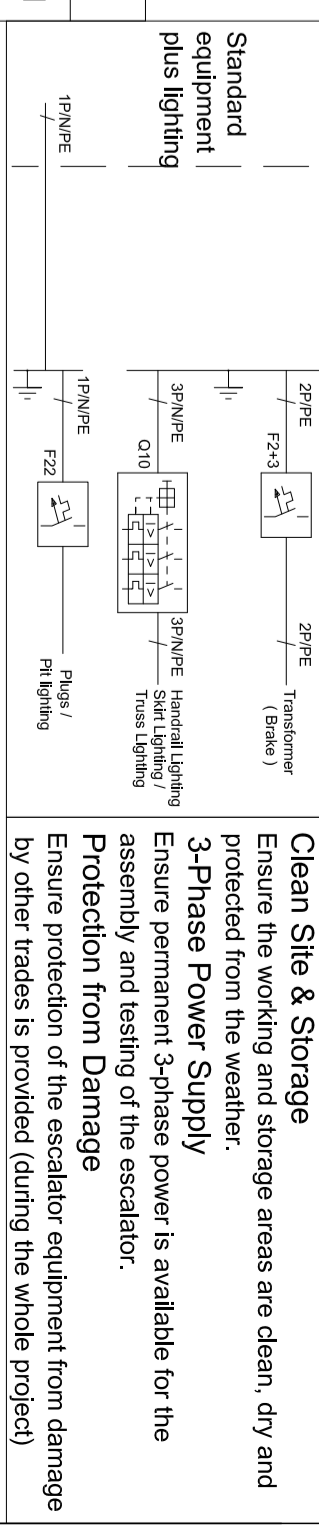


Building Interface Features



Ref.	Description	By (Tick box)	Client
A	Maintenance Barrier		
B	Deck Guard		
D	Hand Guard		

View On Arrow 'A'

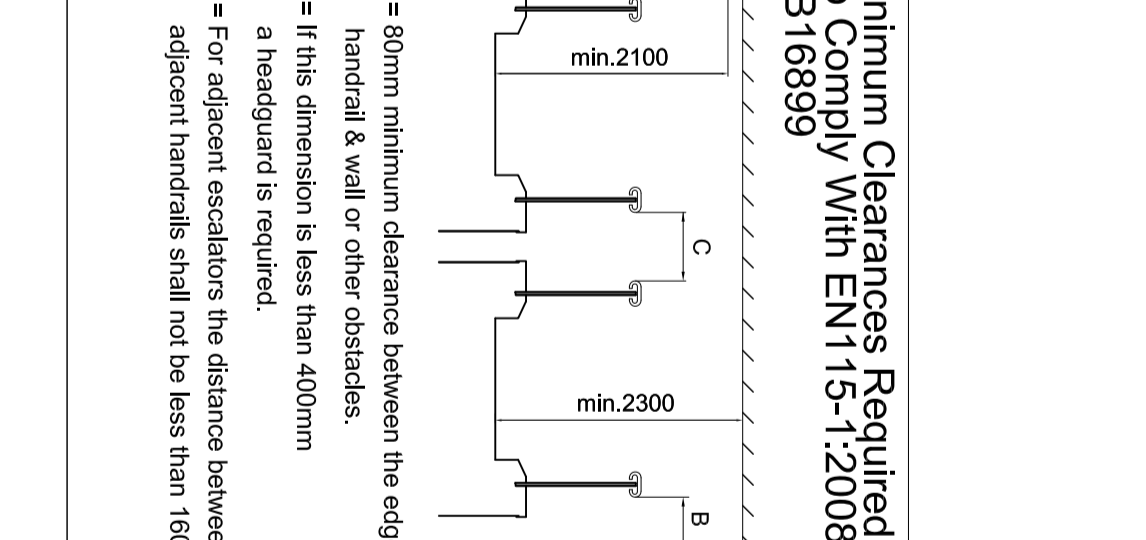
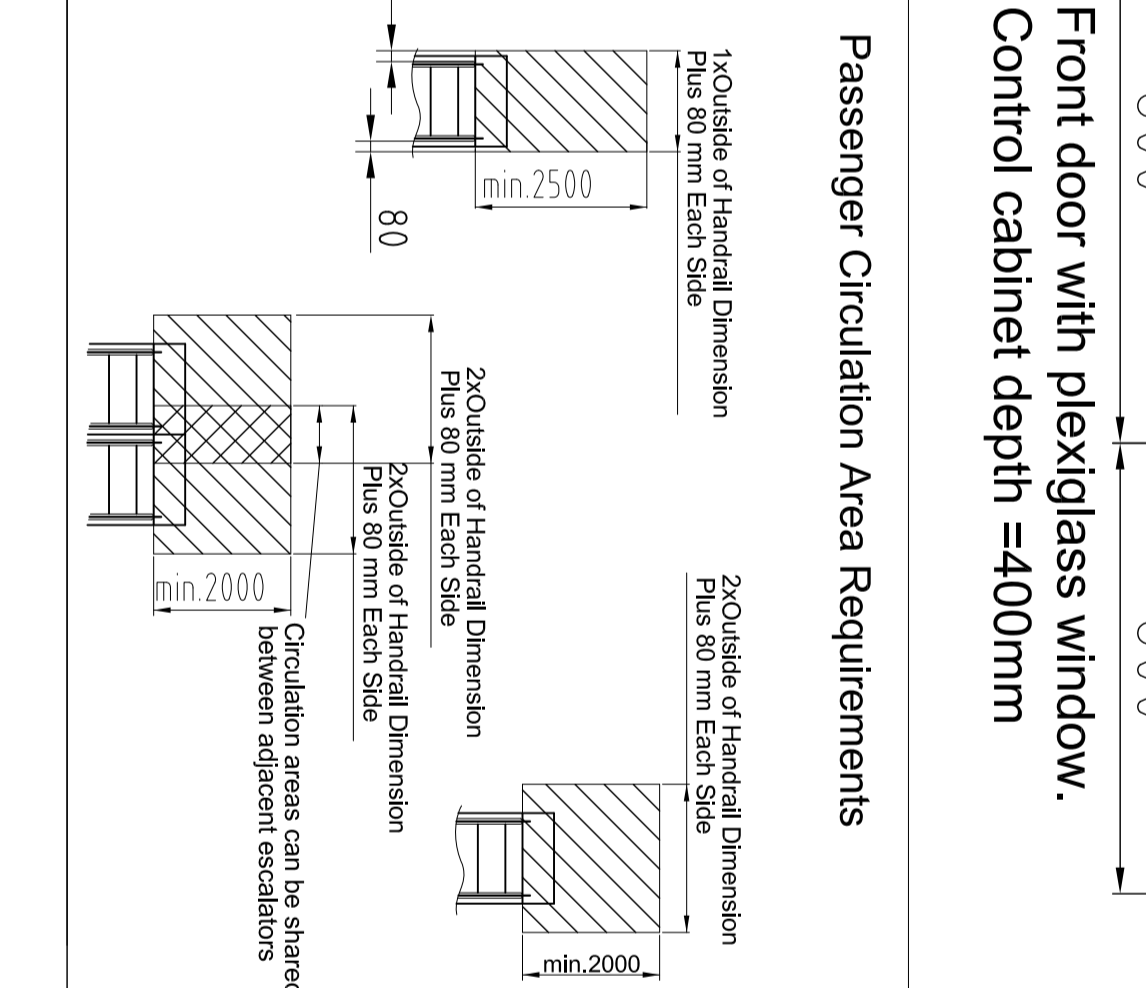
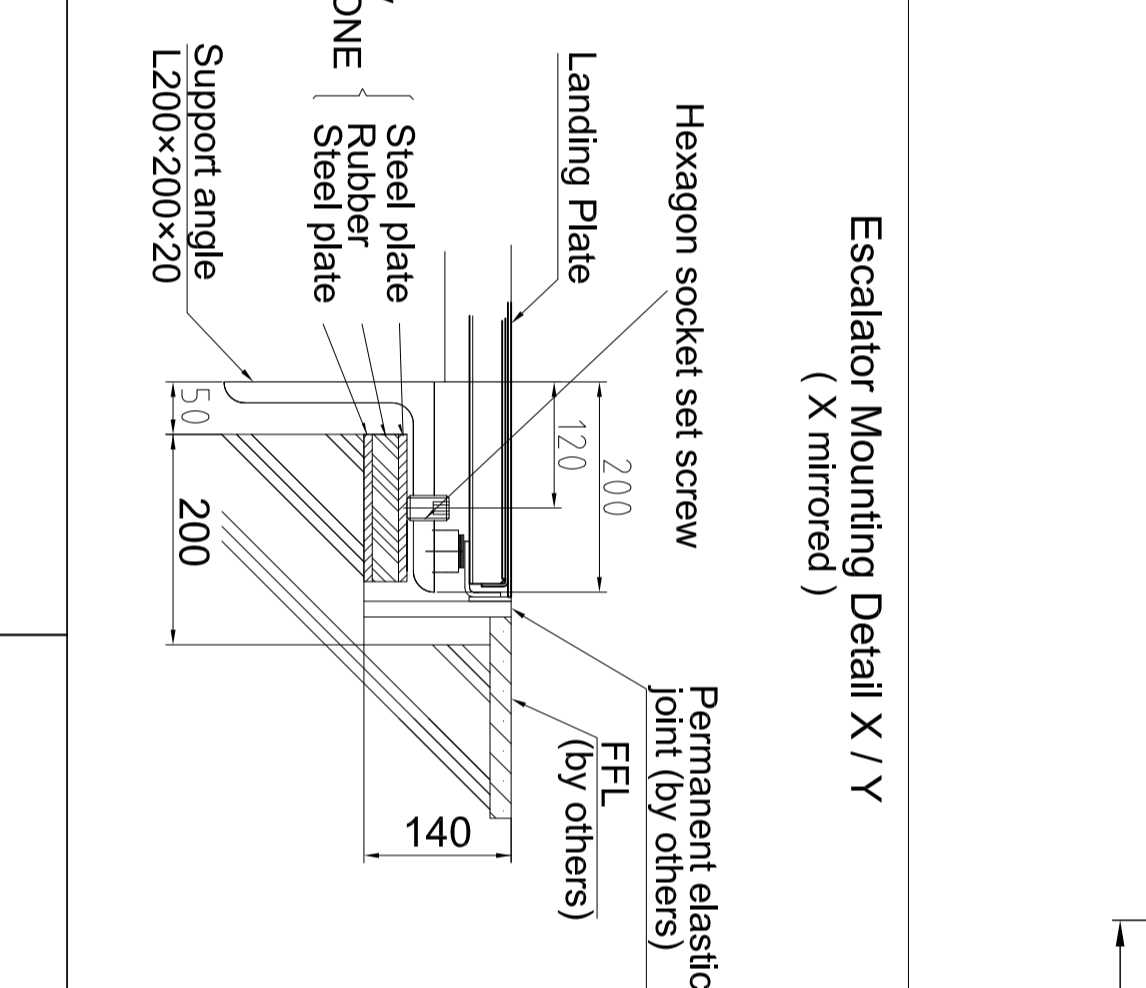
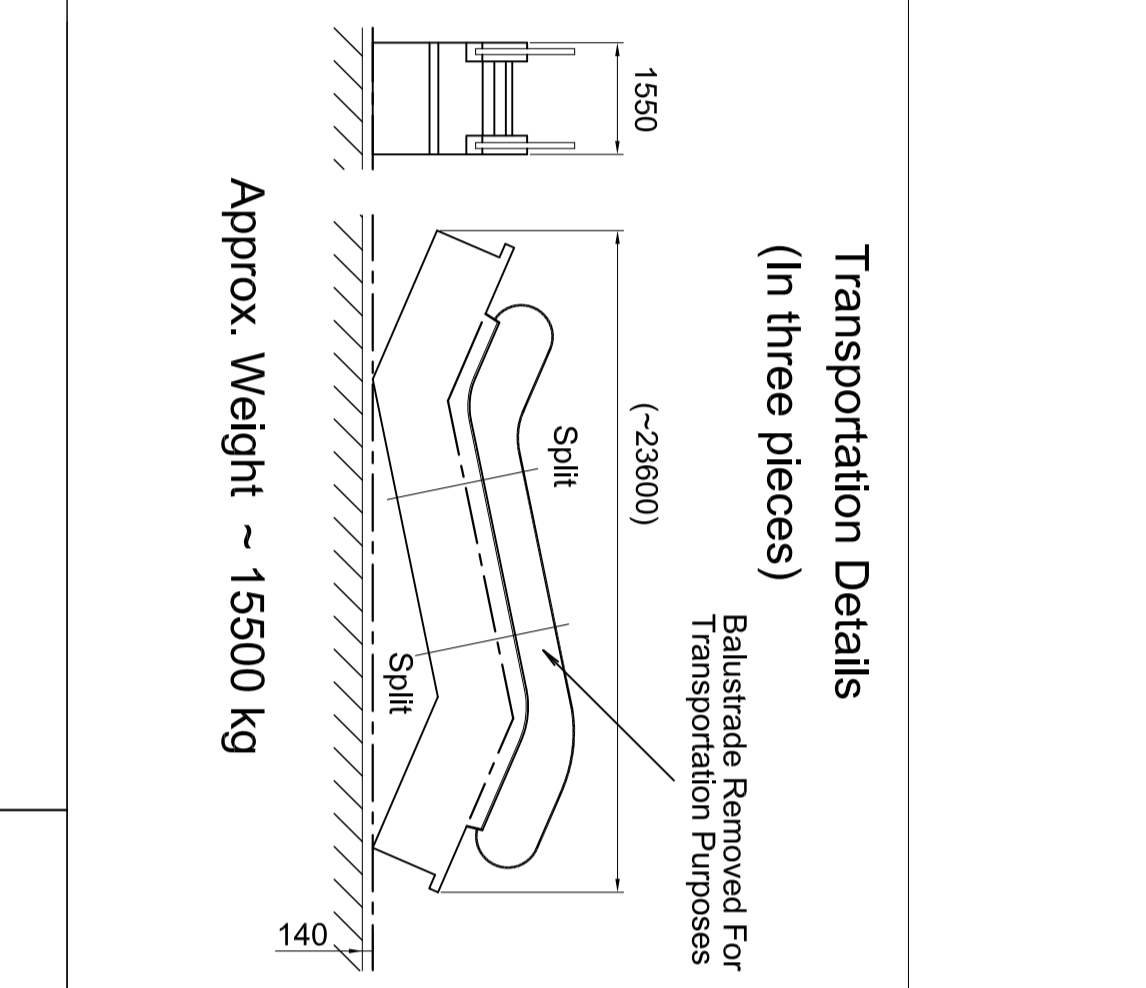
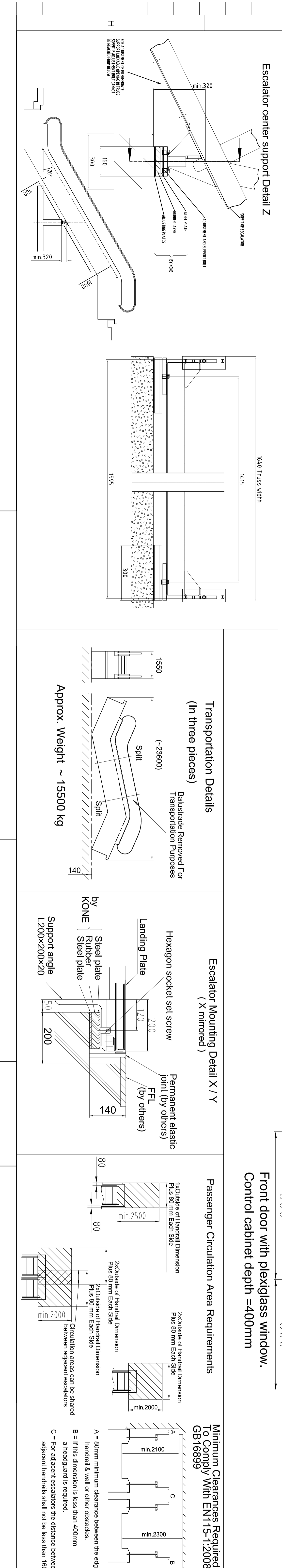
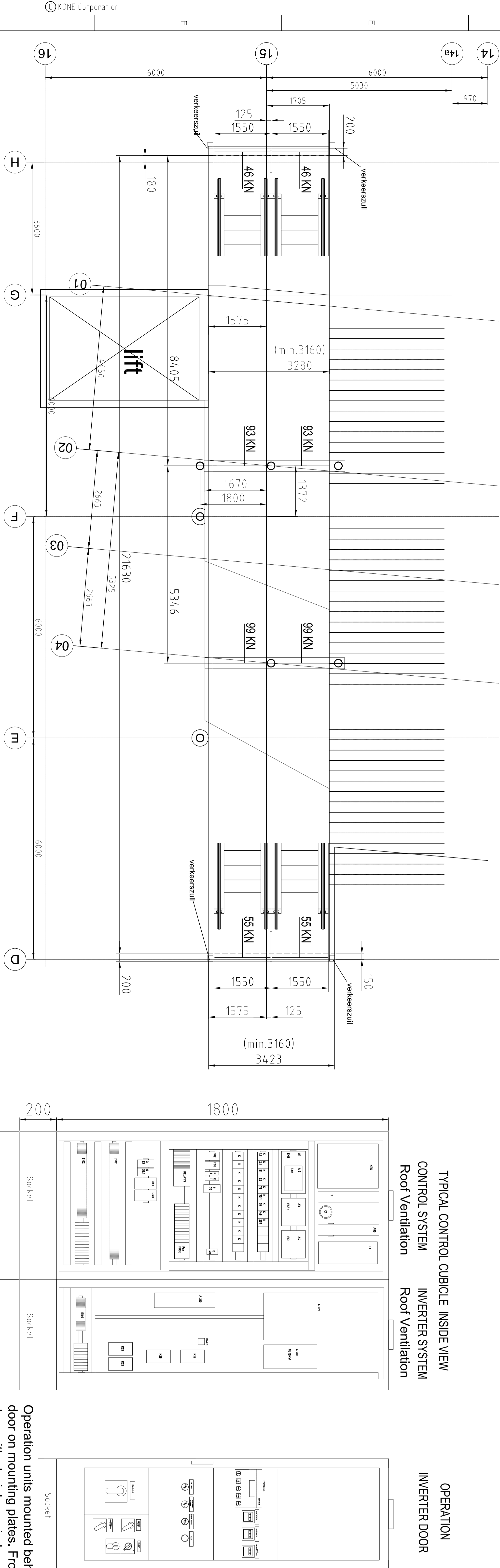
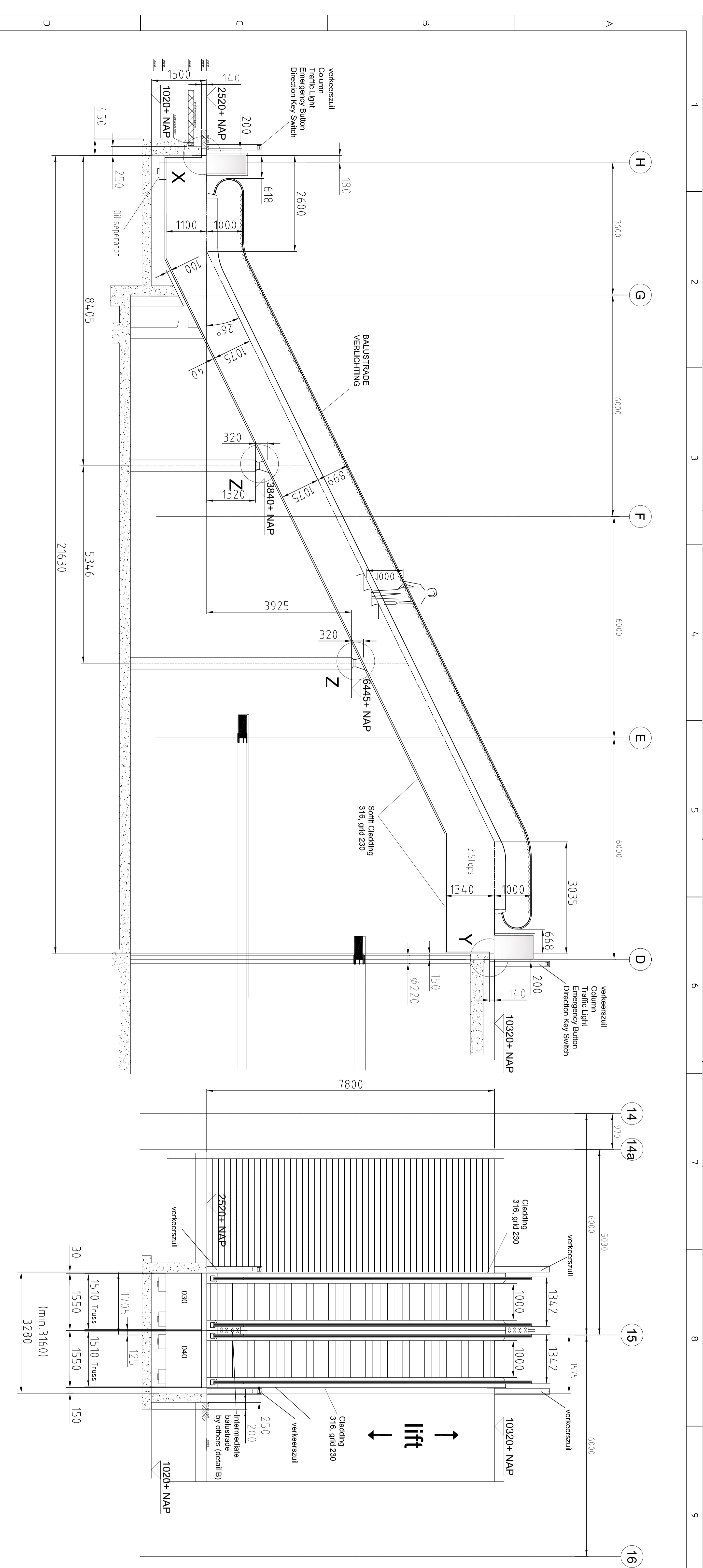


Site Absolutes

Walkway Construction
Ensure escalator support angle, does to base alternatives, or dimensions, pocket depth, rise and support locations
Safety Requirements
Ensure approved safety handrails are installed around Route of Entry
Ensure the spread angle of entry and curve for holding escalator from truck (and for loading it into the final position) is not less than 100mm
Ensure that the roller is prepared to accommodate the weight of the escalator (i.e. load spreading or rolling) at initial Point To Installation
Clean Site & Storage
Ensure the working and storage areas are clean, dry and free from debris
3-Phase Power Supply
Ensure permanent safety power is available for the escalator
Escalator Protection from damage by other trades is provided (during the whole project)

Escalator Number	Motor Size (kW)	Approx. S.C. (amps)	Approx. R.C. (amps)
3-4	1x15 kW	50A (INVERTER)	25A

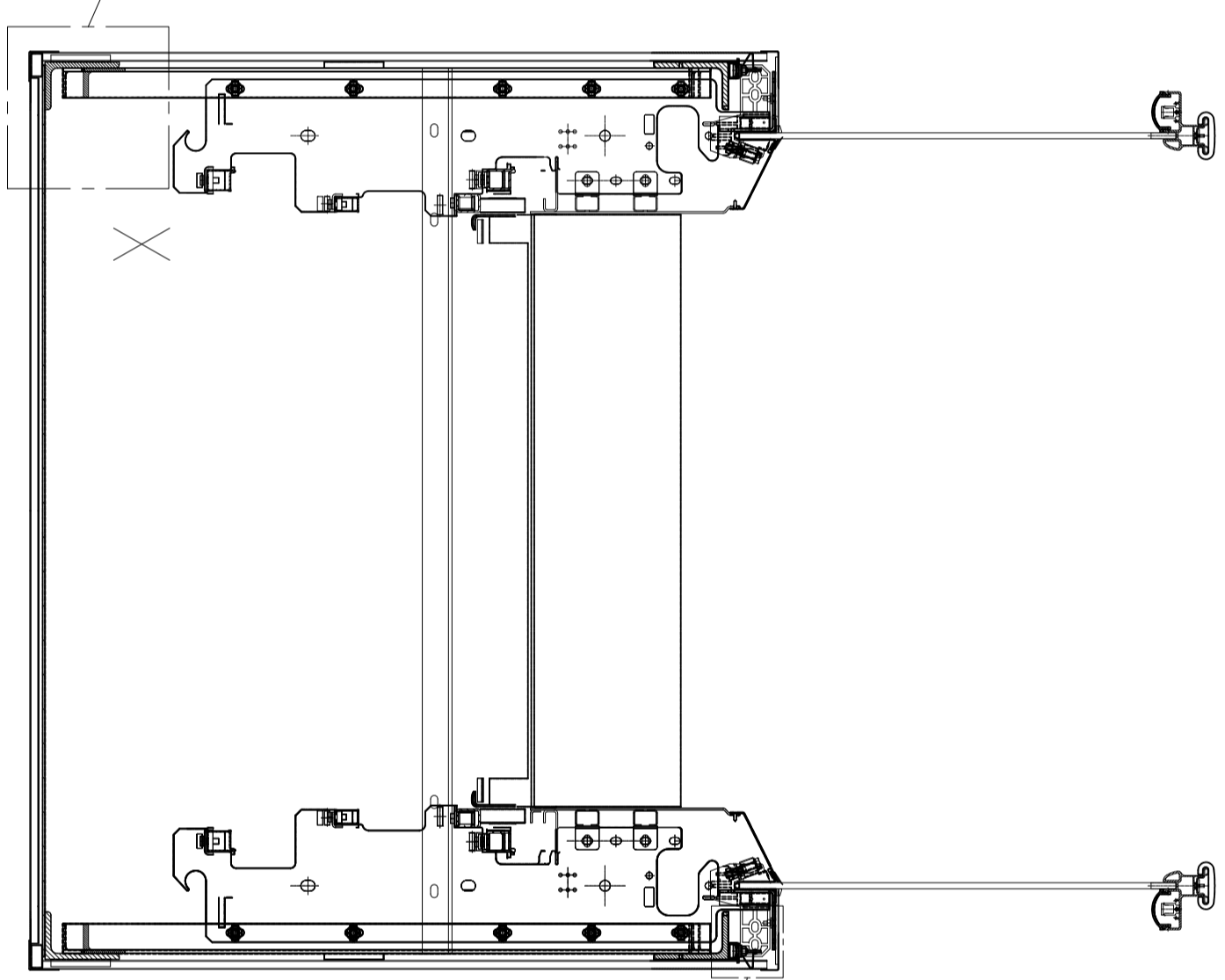
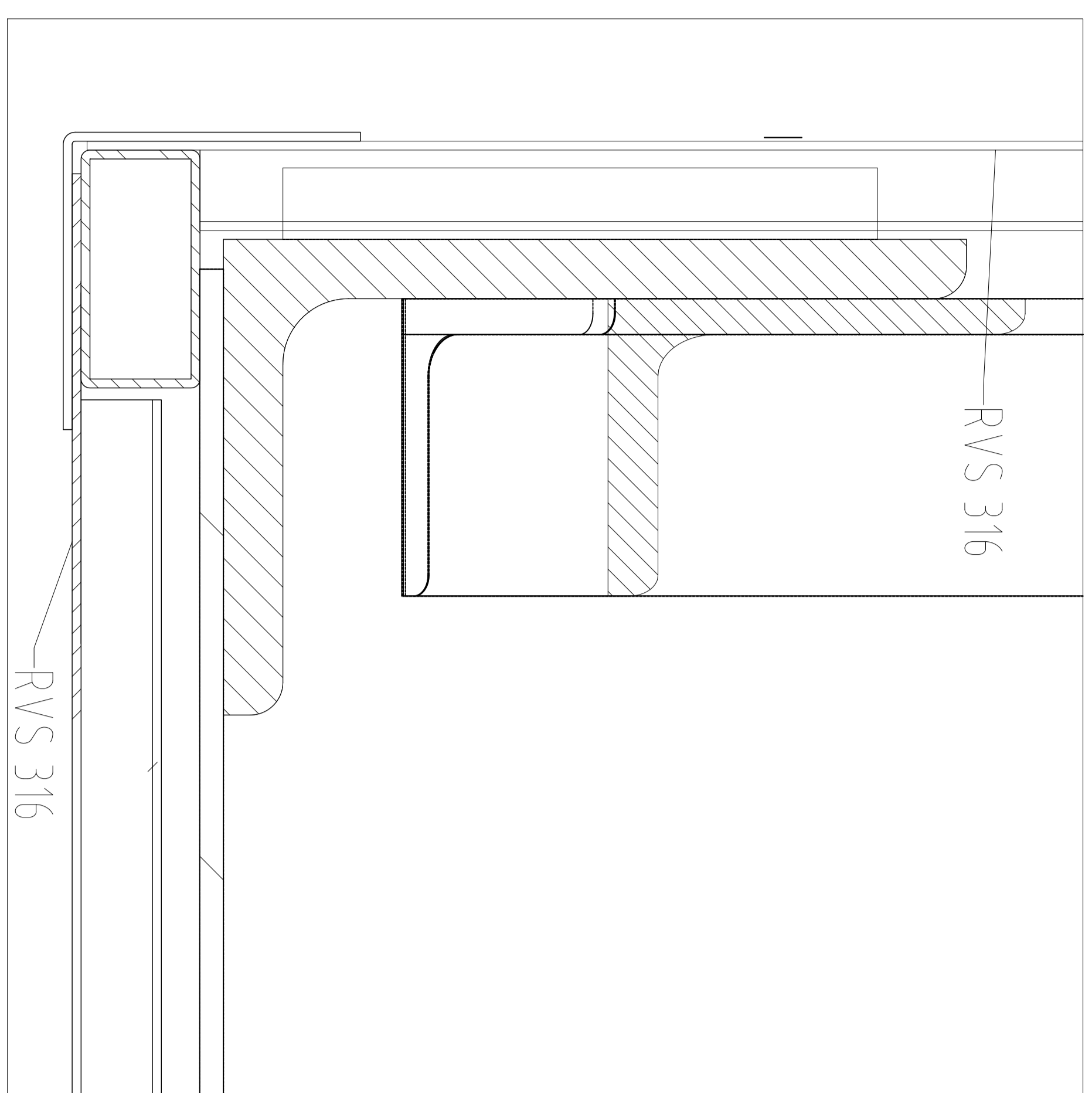
Utrecht Stationsplein West
TM120-1.5-100/26-3-7800
11-34377



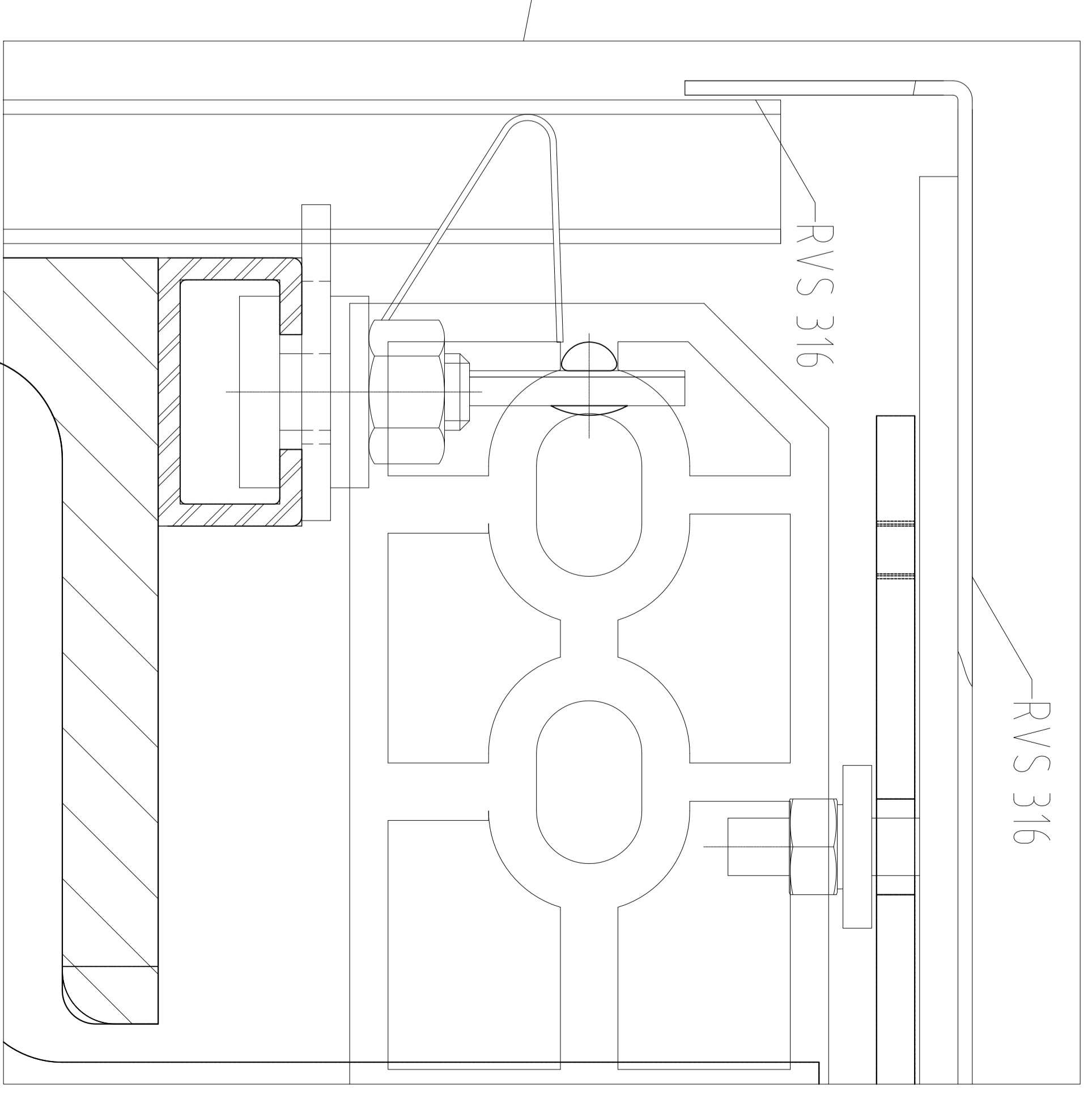
Location of controller Outside upper end	Step Speed	Power supply
3-4	0.05 m/s, 0.2m/s standby speed	400V ~ 3L / N / PE / 50 Hz

Utrecht Stationsplein West
TM120-1.5-100/26-3-7800
11-34377

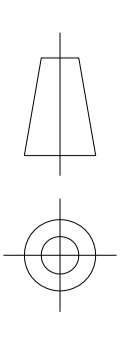
DETAIL X



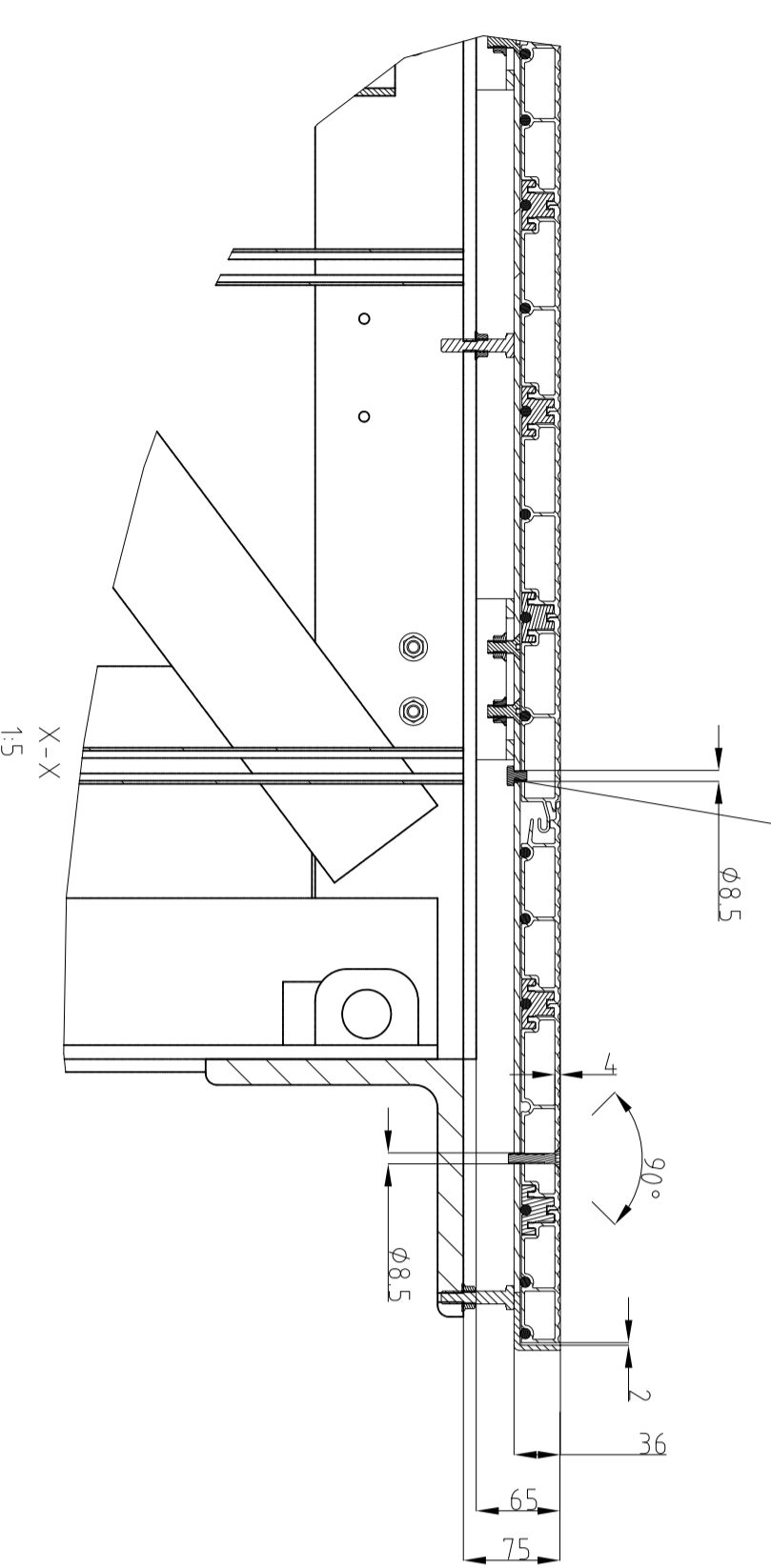
DETAIL Y



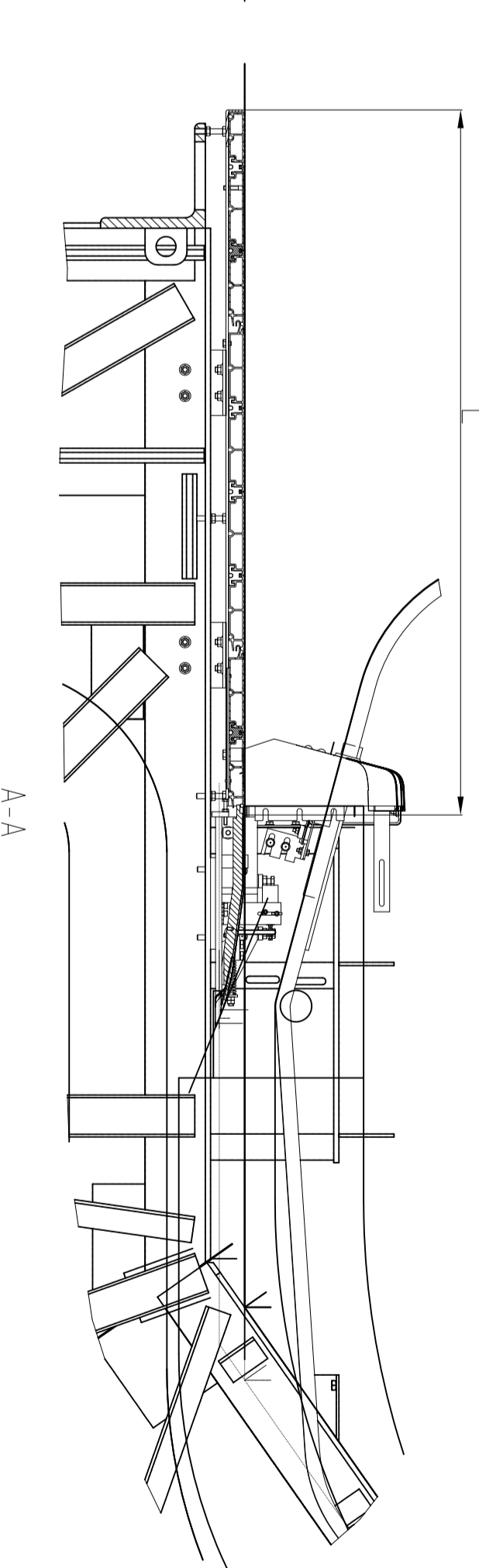
DO NOT SCALE THIS DRAWING



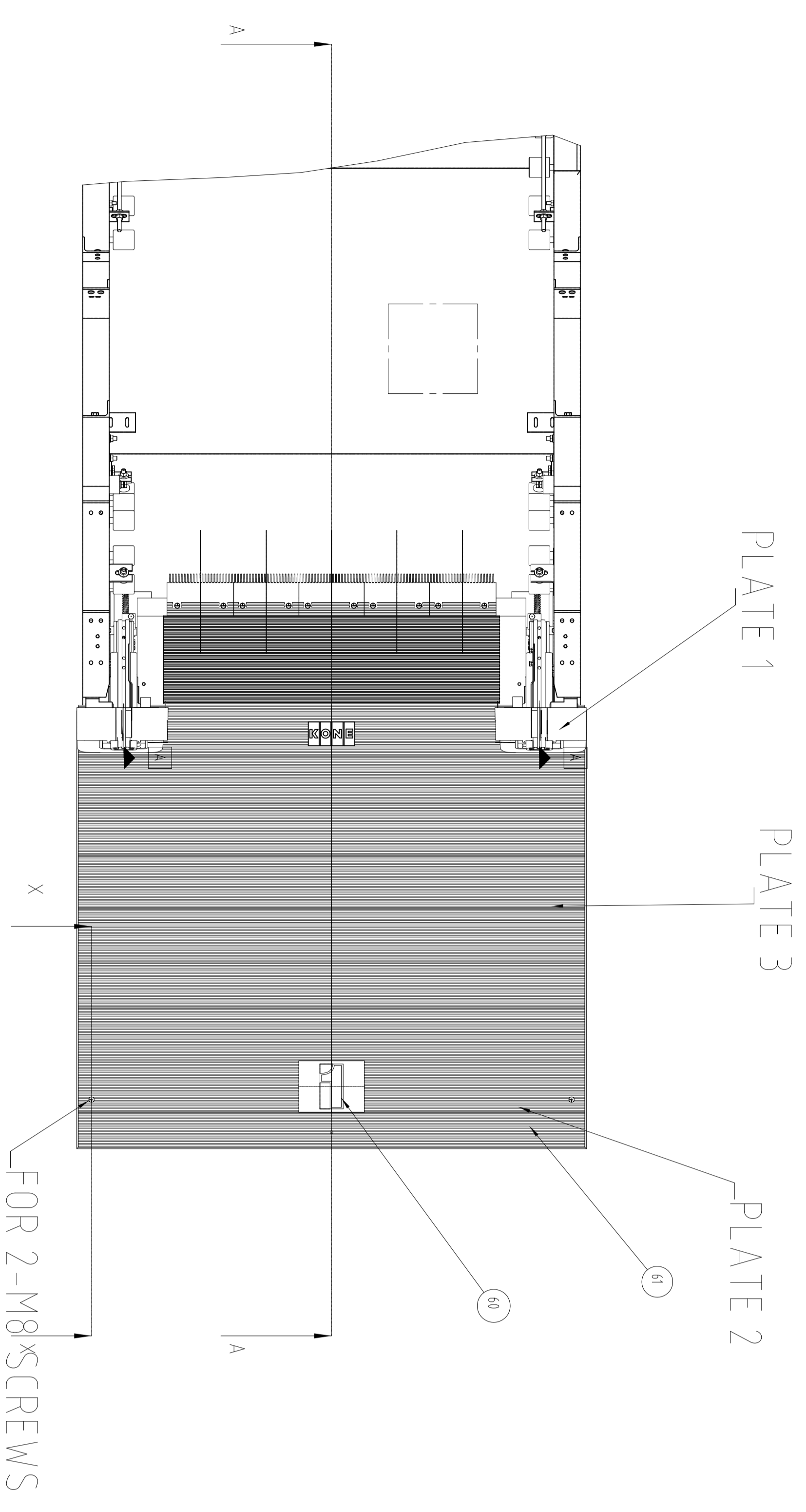
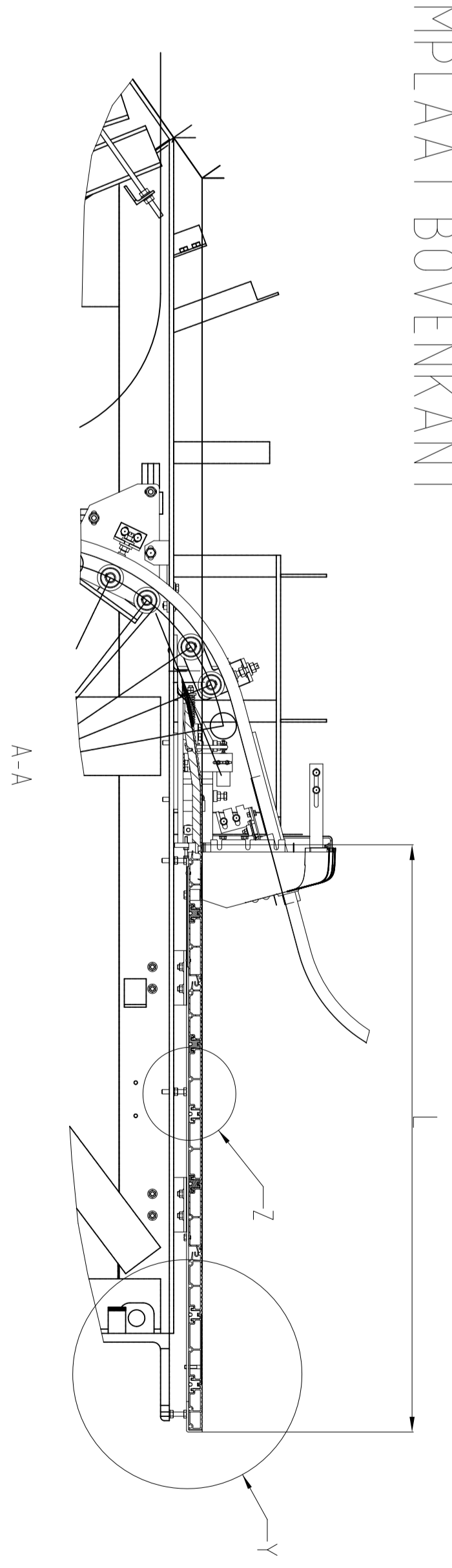
DRILL THIS HOLE PREASSEMBLY FRAME AND PLATE



DETAIL KAMPLAAT ONDERKANT



DETAIL KAMPLAAT BOVENKANT



Location of controller Outside upper end	
Stop Speed : 0.05 m/s, 0.2m/s standby speed	
Power supply: 400V : 3L /N /PE / 50 Hz	
Escalator Number	Motor size (kW)
3 - 4	1x15 kW
Approx. S.C. (temp)	Approx. R.C. (temp)
50A (INVERTER)	29A
<p>KONE GmbH</p> <p>VERZEKERING EXTRA DETAILS</p> <p>D - 47138 Essen</p>	
<p>Utrecht Stationsplein West</p> <p>Project name</p> <p>TM120 -1-5-100/26°-3-7800 DETAILS</p> <p>Commission Number</p> <p>11-34377</p>	
Scale	Sheet
1:1	4
2012	2/2

